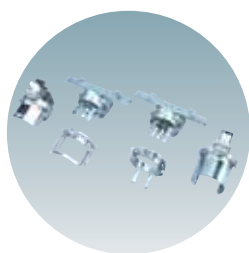


HCS2 1201-30

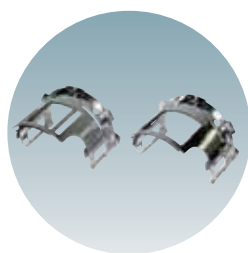
■ OPTIONS



Laser Position Marker



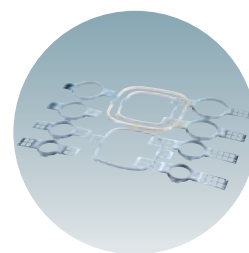
Cap Frame Kit



One Point Frame



Sock Frame



Various Frames

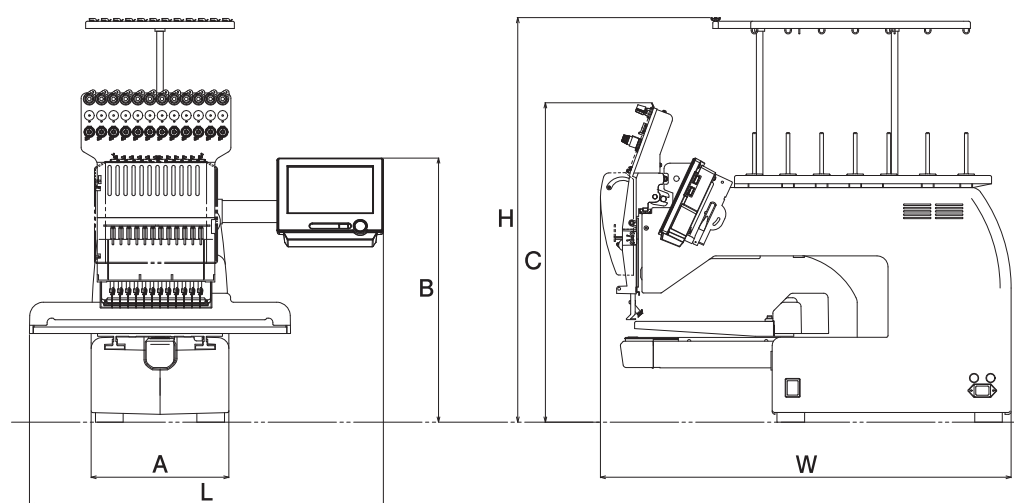
■ STANDARD FEATURES AND FUNCTION

- Color LCD Touch Screen Control Panel
- HAPPY Link/LAN Software
- Automatic Color Change
- Automatic Thread Brake Detection
- USB/LAN Port for PC Connection
- USB Port for Flash Drive/Mouse
- Built-in Bobbin Thread Winder
- Frame Trace Function
- Frame Offset Function
- Frame Out Function
- Auto Origin Function
- Built-in Help Function
- Design Convert
- Design Rotate
- Repeat Sewing
- Automatic Short Stitch Removal
- Icon Free Positioning
- Multilingual Operation

■ SPECIFICATIONS

| MODEL | Head | Needles | Embroidery Area (DxW) | | | Maximum Speed (r.p.m.) | Stitch Length | Memory |
|--------------|------|---------|----------------------------|--------------------------|-------------------------|------------------------|---------------|-------------------------------------|
| | | | Maximum | Wide Cap Frame | Low-profile Cap frame | | | |
| HCS2-1201-30 | 1 | 12 | 285×290mm 11.2×11.4inch | 67×290mm 2.6×11.4inch | 67×180mm 2.6×7.1inch | 1,000 750(cap) | 0.1-12.7mm | 40,000,000 stitches 250 patterns |

| MODEL | Power Supply | Power Consumption | Frequency | Weight | Dimensions | | | | | | |
|--------------|--------------------------------------|-------------------|-----------|---------------|------------|------|------|-----|------|------|--------|
| | | | | | L | W | H | A | B | C | |
| HCS2-1201-30 | Single Phase 100-115V 200-230V | 220W | 50/60Hz | 42kg 93lbs | 642 | 745 | 734 | 250 | 480 | 580 | (mm) |
| | | | | | 25.3 | 29.3 | 28.9 | 9.8 | 18.9 | 22.8 | (inch) |



NOTE

- Embroidery area may be limited by hoops to be used.
- Specifications are subject to change without notice.
- Maximum speed may change by sewing conditions.

Manufactured by :

HAPPY Industrial Corporation

TOKYO OFFICE: 2-9-5 TAITO, TAITO-KU, TOKYO, 110-0016 JAPAN

phone: +81-3-3834-0711 fax: +81-3-3835-8917

E-mail: emb-info@happy-ind.co.jp

www.happy-ind.co.jp

Distributed by :

HCS2 1201-30

Computerized Compact Embroidery Machine

ULTIMATE EMBROIDERY MACHINE

ULTRA LIGHT / ULTRA COMPACT

ULTRA FAST / ULTRA EASY OPERATION

HAPPY Industrial Corporation

JAPAN